

## Tubular Handles

Tube Aluminum, Legs Zinc Die Casting, with Movable Handle Legs

### SPECIFICATION

#### Type

- Type A: Mounting from the back (threaded blind bore)

#### Handle tube

Aluminum, wall thickness 1,5 mm

- Powder coated  
Black, RAL 9005, textured finish **SW**  
Handle legs black
- Anodized, natural color **ELS**  
Handle legs black
- Anodized, natural color **ELG**  
Handle legs silver

#### Handle legs

Zinc die casting

Powder coated, textured finish

- Black, RAL 9005 for SW / ELS
- Silver, RAL 9006 for ELG

#### Cover

Plastic

- Black, matte finish for SW / ELS
- Light gray, matte finish for ELG



### INFORMATION

The spacing of the attachment holes of the tubular handles GN 333.3 is adjustable.

Further handle legs can be added for very long tubular handles. Individual handle legs for tubular handles  $\varnothing 28$  (type A) are available under GN 333.9 (see page 501).

Tubular handles GN 333.3 are supplied unassembled.

### ACCESSORY

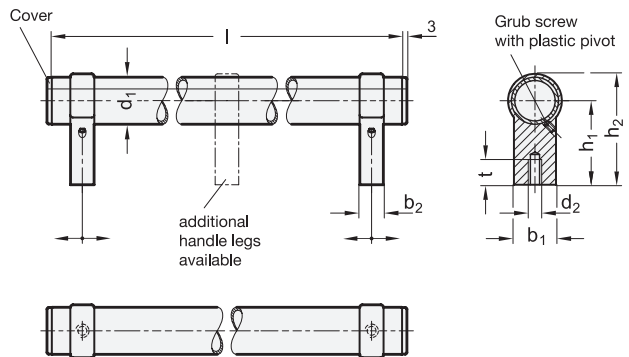
- GN 333.9 Handle Legs (see page 501)

### ON REQUEST

- Special lengths

### TECHNICAL INFORMATION

- Load Rating Information (see page A35)



\* Complete with



### GN 333.3

Description	$d_1$	Length $l$	$d_2$	$b_1$	$b_2$	$h_1$	$h_2$	$t$ min.	$\Delta$
GN 333.3-28-242-A-*	28	242	M 8	25	14	50	66	15	300
GN 333.3-28-292-A-*	28	292	M 8	25	14	50	66	15	320
GN 333.3-28-392-A-*	28	392	M 8	25	14	50	66	15	375
GN 333.3-28-492-A-*	28	492	M 8	25	14	50	66	15	420
GN 333.3-28-592-A-*	28	592	M 8	25	14	50	66	15	480

Weight SW